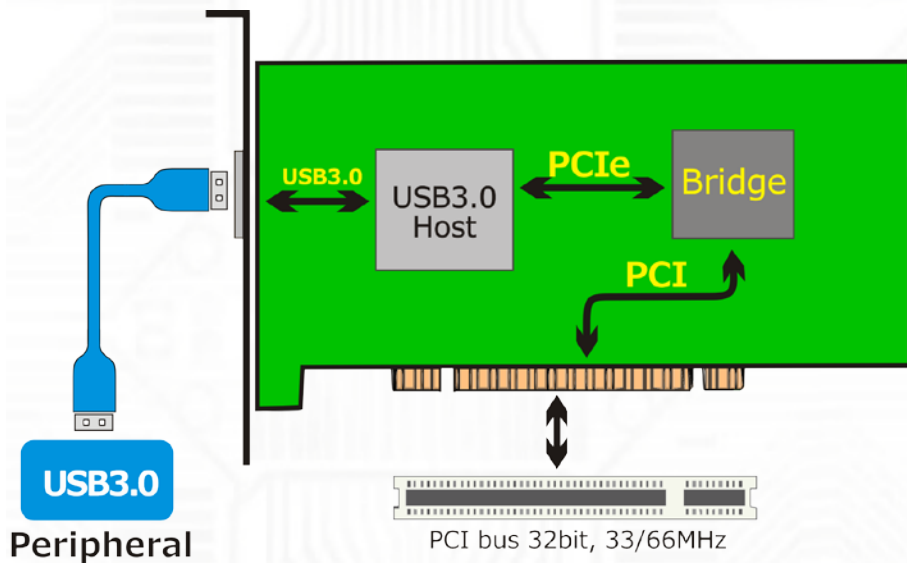
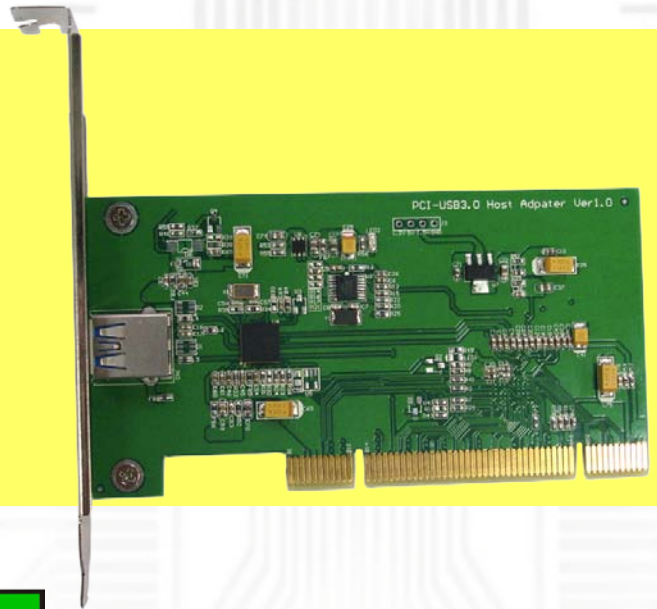


PCI – USB3.0 Host Adapter

PP3U

This PP3U PCI – USB3.0 add-on card adapter allows you to use your existing USB3.0 device to legacy PCI bus interface.

10x faster than that of USB 2.0, this SuperSpeed USB 3.0 adapter card enables you to access your data and transfer files much faster than USB 2.0. The new USB 3.0 standard supports transfer rates of up to 5Gbps, while still providing connectivity and support for the older USB 2.0 (480Mbps) and 1.1 (12Mbps) devices.



Specification:

- Fully compliant with PCI Standard Release 3.0, 32bit, 33/66MHz
- One external 5G bps SuperSpeed USB 3.0 type A port
- Output Voltage/Current: 5V/0.9A(Max).
- External 5Gbps SuperSpeed USB 3.0 ports
- The Windows XP/Server 2003/Vista/Server 2008/Windows 7 (Supports both 32-bit and 64-bit OS)
- Operating Temperature: 0~40°C
- USB 3.0 Host Controller: Fresco FL1000G
◆ [Driver download](#)
- PCI/PCIe Bridge controller: PLX PEX8112
- Supports SuperSpeed USB (USB 3.0) peripheral by offering transfer rates of up to 5Gbps.
- Supports PCI v.3.0 protocol, and a 32-bit wide parallel data path running up to 66MHz to PCI Host CPU

System Requirements:

Host: PCI Standard slot

Peripheral: USB 3.0

PP3U Package Contents



PP3U
(PCI-USB3.0 Host Adapter) x1



(Low profile PCI bracket) x1

As a New manufacturer of quality computer connectivity products since 2009/Mar, BPLUS technology brings to market a broad range of upgrade products. These products bridge the connection between Desktop/Notebook systems and external peripherals.

Bplus
Bplus Technology

Address: 5F, NO. 63, ZHOU-TZYY
ST., NEI-HU, TAIPEI, TAIWAN, R.O.C
Tel: 886-2-77210550
Fax: 886-2-87974200
Email: sales@bplus.com.tw
Web: <http://www.bplus.com.tw/>